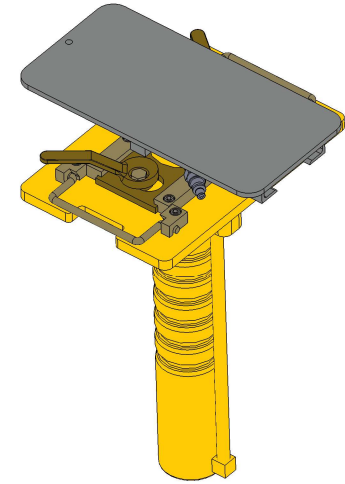
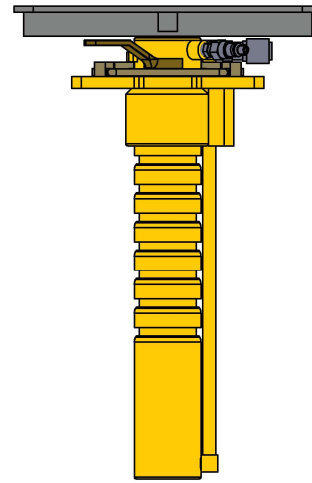
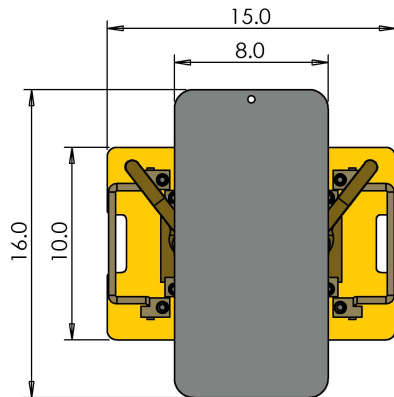


Base Adjustments
In Increments Of 1.500



Weld Beads Not Shown.

Capacity:30,000 LBS.
Assembled Unit Weight:120 LBS.
Stroke:17"
Color: Jack and Base-Yellow, Return Plate-Grey
(Custom Colors Available)

PROPRIETARY AND CONFIDENTIAL

THE INFORMATION CONTAINED IN THIS DRAWING IS THE SOLE PROPERTY OF:

BUCKINGHAM STRUCTURAL MOVING EQUIPMENT, LLC.
BERNVILLE, PA. PHONE (610)488-8969

ANY REPRODUCTION IN PART OR AS A WHOLE WITHOUT THE WRITTEN PERMISSION OF BUCKINGHAM STRUCTURAL MOVING EQUIPMENT, LLC IS PROHIBITED.

DRAWN BY:

Darin Buckingham

DATE:

Monday, November 29, 2021 5:30:45 PM

BUCKINGHAM

DESCRIPTION:

15 Ton DA Crib Jack With Base And Return Plate

SIZE
A

DWG. NO.
15 Ton DA Crib Jack With Base and Return Plate 0101D

REV
2

DO NOT SCALE DRAWING

SCALE: 1:10

SHEET 1 OF 1