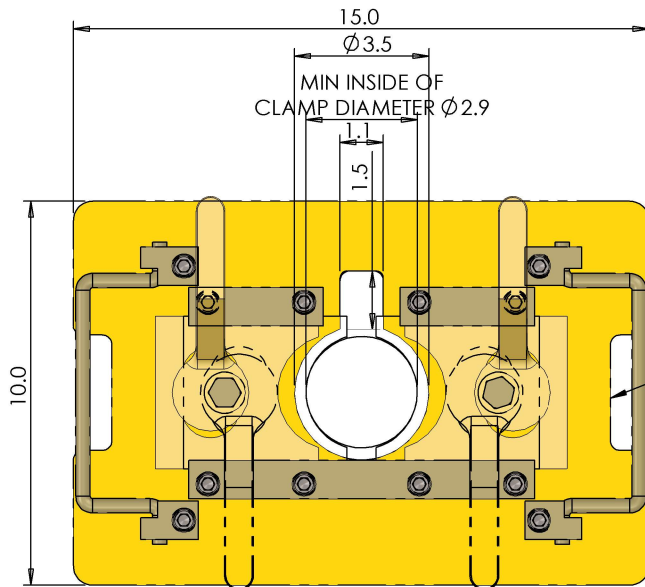
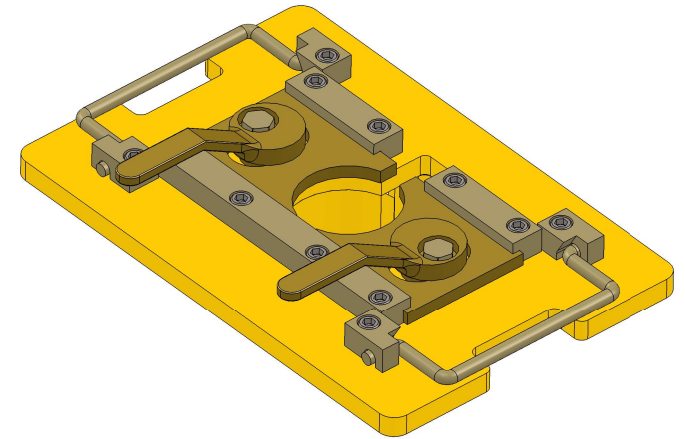
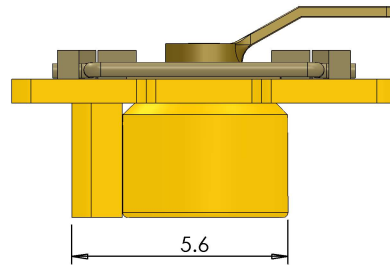
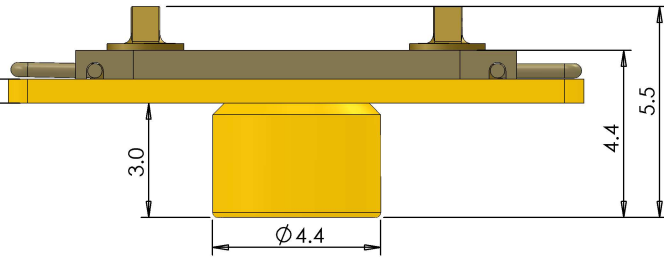


0.6 High Strength Steel



Convenient Finger Notches To Avoid Finger Pinch During Single Hand Carry

Capacity:30,000 LBS.  
 Jack Size: Accomodates up to a 3.50 outside barrel diameter  
 Unit Weight:38 LBS.  
 Color:BSME Yellow (Custom Colors Available)

**PROPRIETARY AND CONFIDENTIAL**

THE INFORMATION CONTAINED IN THIS DRAWING IS THE SOLE PROPERTY OF:

**BUCKINGHAM STRUCTURAL MOVING EQUIPMENT, LLC.**  
**BERNVILLE, PA. PHONE (610)488-8969**

ANY REPRODUCTION IN PART OR AS A WHOLE WITHOUT THE WRITTEN PERMISSION OF BUCKINGHAM STRUCTURAL MOVING EQUIPMENT, LLC IS PROHIBITED.

DRAWN BY:

Darin Buckingham

DATE:

Thursday, March 31, 2022 11:45:31 AM



DESCRIPTION:

Crib Jack Base

SIZE  
**A**

DWG. NO.  
15JBAS0103

REV  
1

DO NOT SCALE DRAWING

SCALE: 1:5

SHEET 1 OF 1