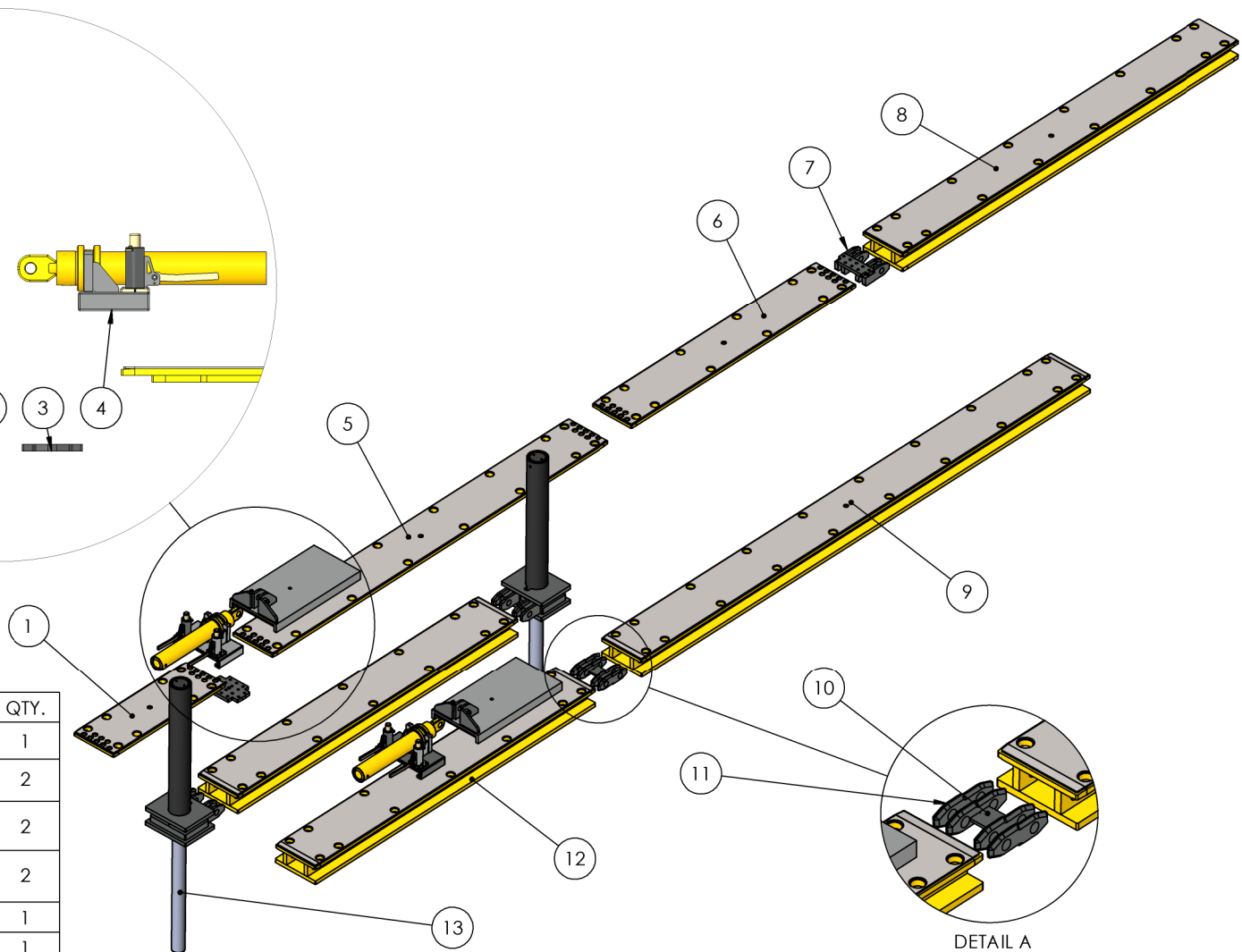
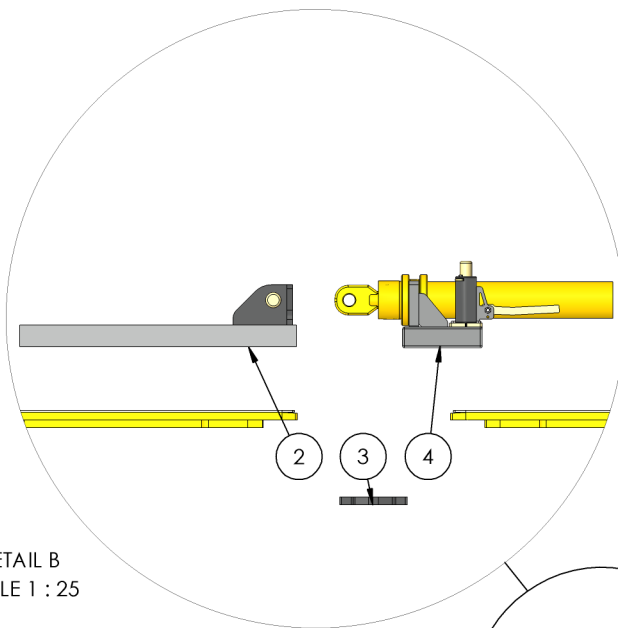
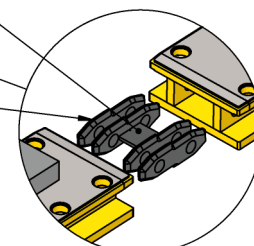


DETAIL B
SCALE 1 : 25



DETAIL A
SCALE 1 : 25



ITEM NO.	PART NUMBER	DESCRIPTION	QTY.
1	BSAS2201	2.25"x16"x48" Slide Track	1
2	BSAS1103	36" Long Slide Shoe	2
3	BS166101	Track to Track Connection Plate	2
4	BSAS1201	Push Cylinder Shoe Assembly	2
5	BSAS1702	2.25"x16"x144" Slide Track	1
6	BSAS2101	2.25"x16"x96" Slide Track	1
7	BSAS1801	Track to Beam Connector	1
8	BSAS2301	6.25"x16"x144" Slide Beam	1
9	BSAS1901	6.25"x16"x192" Slide Beam	1
10	BSAS2401	Beam To Beam Inside Connector-Double Pins	1
11	BS208001	Beam to Beam Connector-Double Pins	2
12	BSAS0901	6.25"x16"x120" Slide Beam	2
13	BSAS1001	Cylinder and Beam to Cylinder Adapter	2

PROPRIETARY AND CONFIDENTIAL

THE INFORMATION CONTAINED IN THIS DRAWING IS THE SOLE PROPERTY OF:

BUCKINGHAM STRUCTURAL MOVING EQUIPMENT, LLC.
BÉRNVILLE, PA. PHONE (610)488-8969

ANY REPRODUCTION IN PART OR AS A WHOLE WITHOUT THE WRITTEN PERMISSION OF BUCKINGHAM STRUCTURAL MOVING EQUIPMENT, LLC IS PROHIBITED.

DRAWN BY:

Darin Buckingham

DATE:

Thursday,
January 21,
2021
11:21:48 AM

BUCKINGHAM

DESCRIPTION:

16" Wide Heavy Duty Slide System

SIZE
A

DWG. NO.
BSAS 2 Complete

REV

DO NOT SCALE DRAWING

SCALE: 1:50

SHEET 1 OF 1