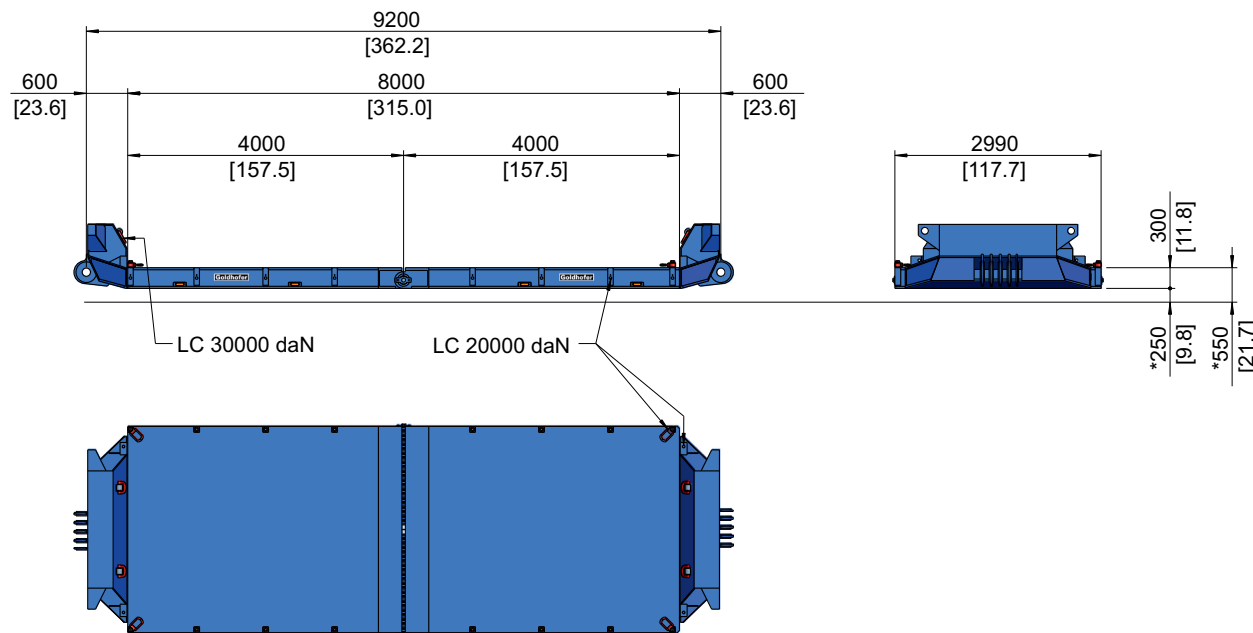


## Low Profile Deck 8000 mm [315.0"], with Extension Coupling

330 sht

### Datasheet:

- Flat box-type design from high-tensile steel StE 690
- Through steel flooring on the whole loading area
- In front and at rear coupling heads for modular bogies
- Hydraulic, brake and electric lines installed within the frame, with couplings
- 2 pairs lashing rings LC 30000 daN on the coupling heads  
2 pairs bushings for screw-in lashing rings LC 20000 daN laterally of the coupling heads  
8 pairs bushings for screw-in lashing rings LC 20000 daN laterally in the outer frame  
8 pairs bushings for screw-in lashing rings LC 20000 daN on top of the outer frame including 4 units screw-in lashing rings LC 20000 daN
- Deadweight approx. 41700 lbs



### Options

Extension 3000 mm [118.1"]	14100 lbs
Extension 4000 mm [157.5"]	17900 lbs
Extension 5000 mm [196.9"]	21800 lbs

Payload	402 sht	333 sht	282 sht
In trailer combination	5+5	6+6	7+7
Payload	278 sht	266 sht	238 sht
In semitrailer combination	4+6	5+7	6+8

Remark: The given payloads are solely technical values.  
They do not form a statement on legally permissible payloads.  
Illustration similar, drawing not to scale.